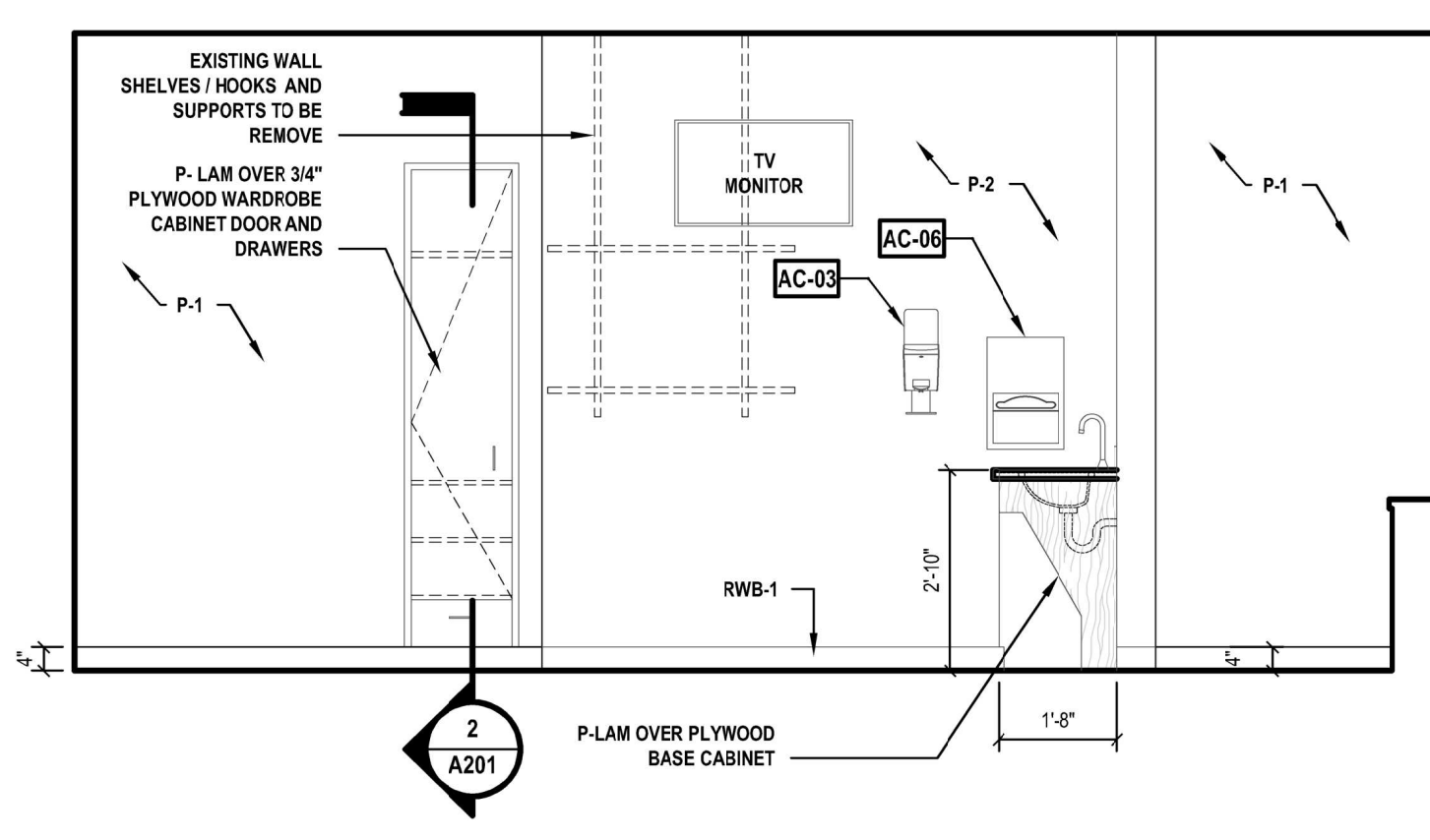
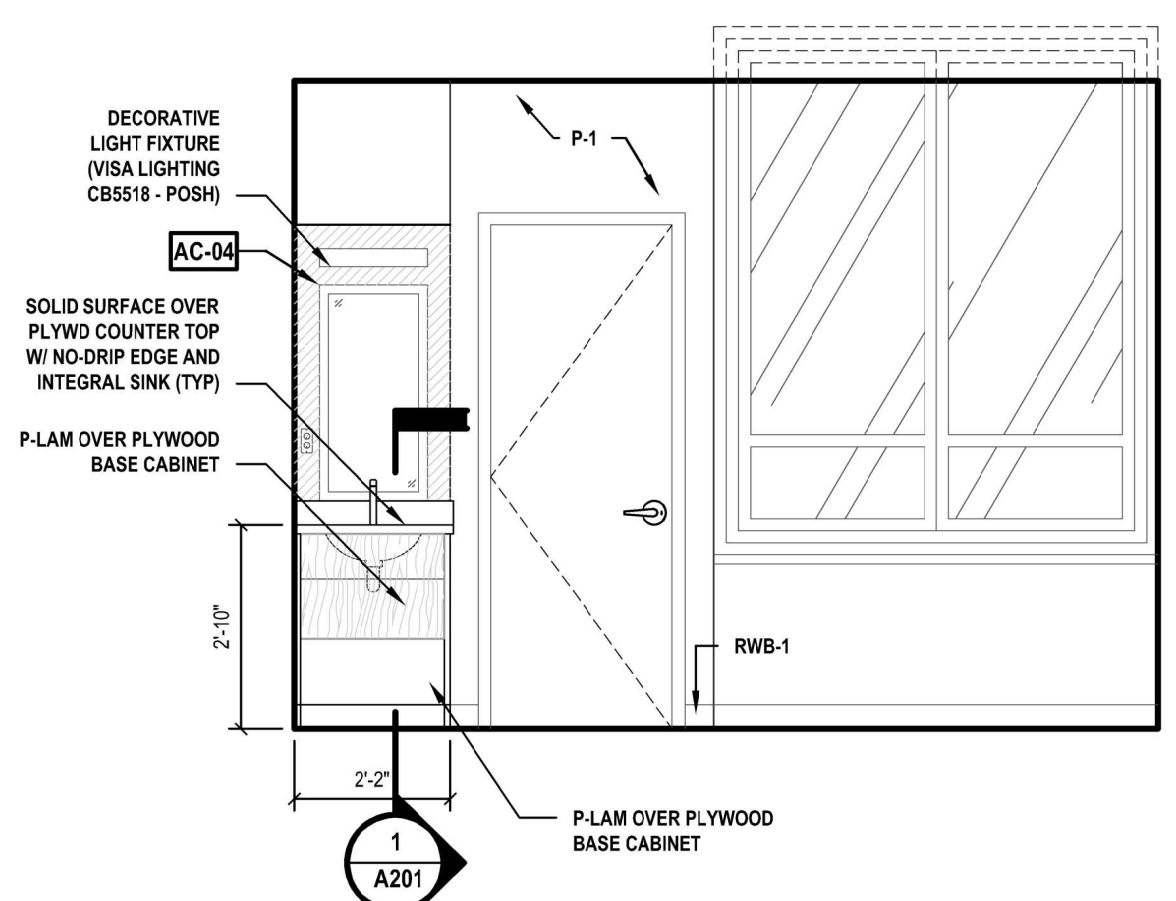


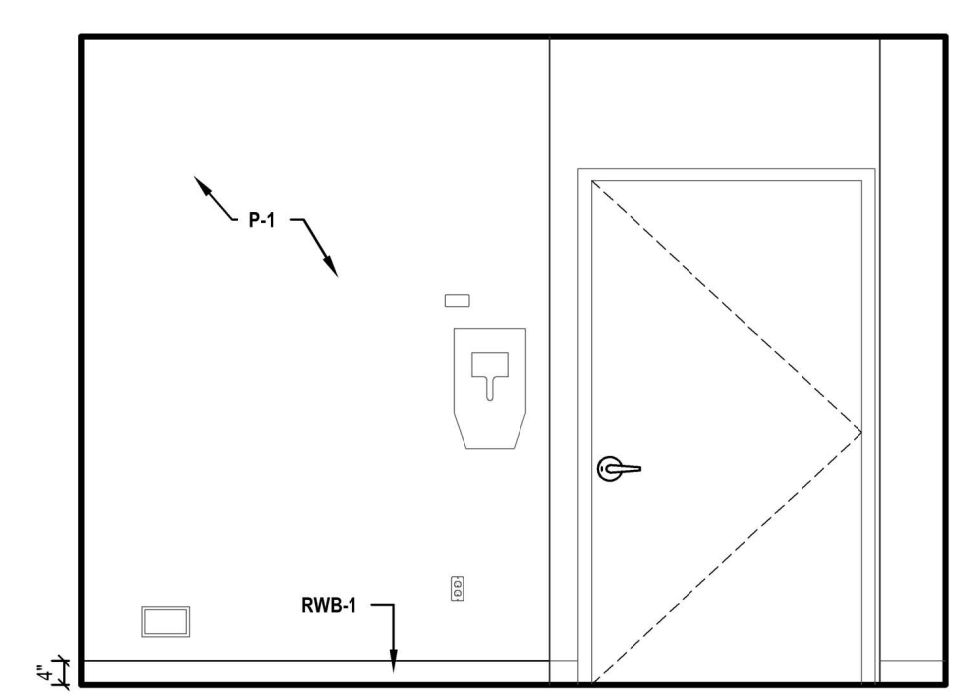
A Typical Headwall Elevation
SCALE: 3/8"=1'-0"
TYPICAL FOR 11 PATIENT ROOMS
NOTE:
CONTRACTOR TO FIELD VERIFY LOCATIONS IN EACH ROOM TO ACCOMMODATE MINOR DIMENSIONAL VARIATIONS.



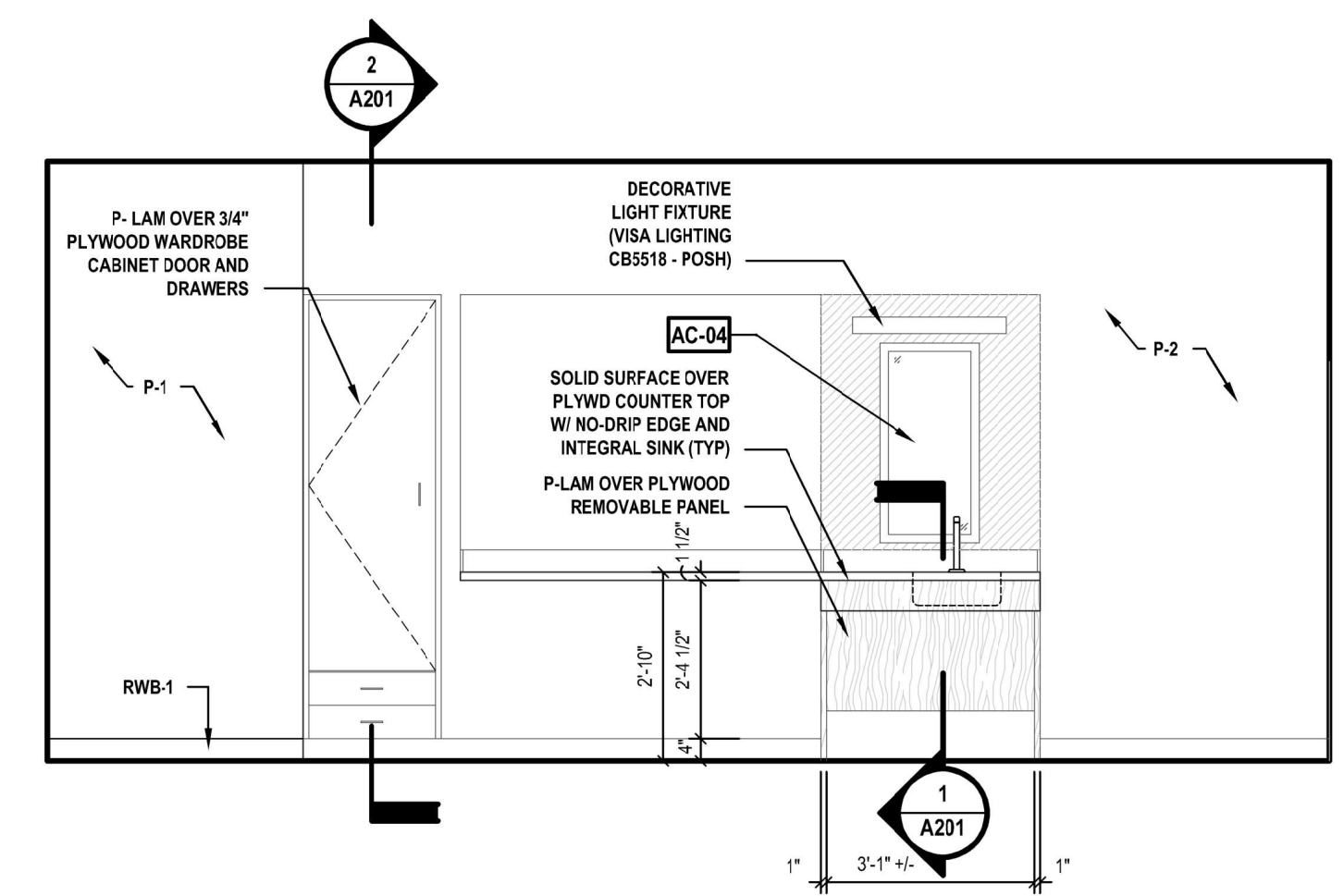
B Typical Elevation
SCALE: 3/8"=1'-0"
NOTE:
CONTRACTOR TO FIELD VERIFY LOCATIONS IN EACH ROOM TO ACCOMMODATE MINOR DIMENSIONAL VARIATIONS.



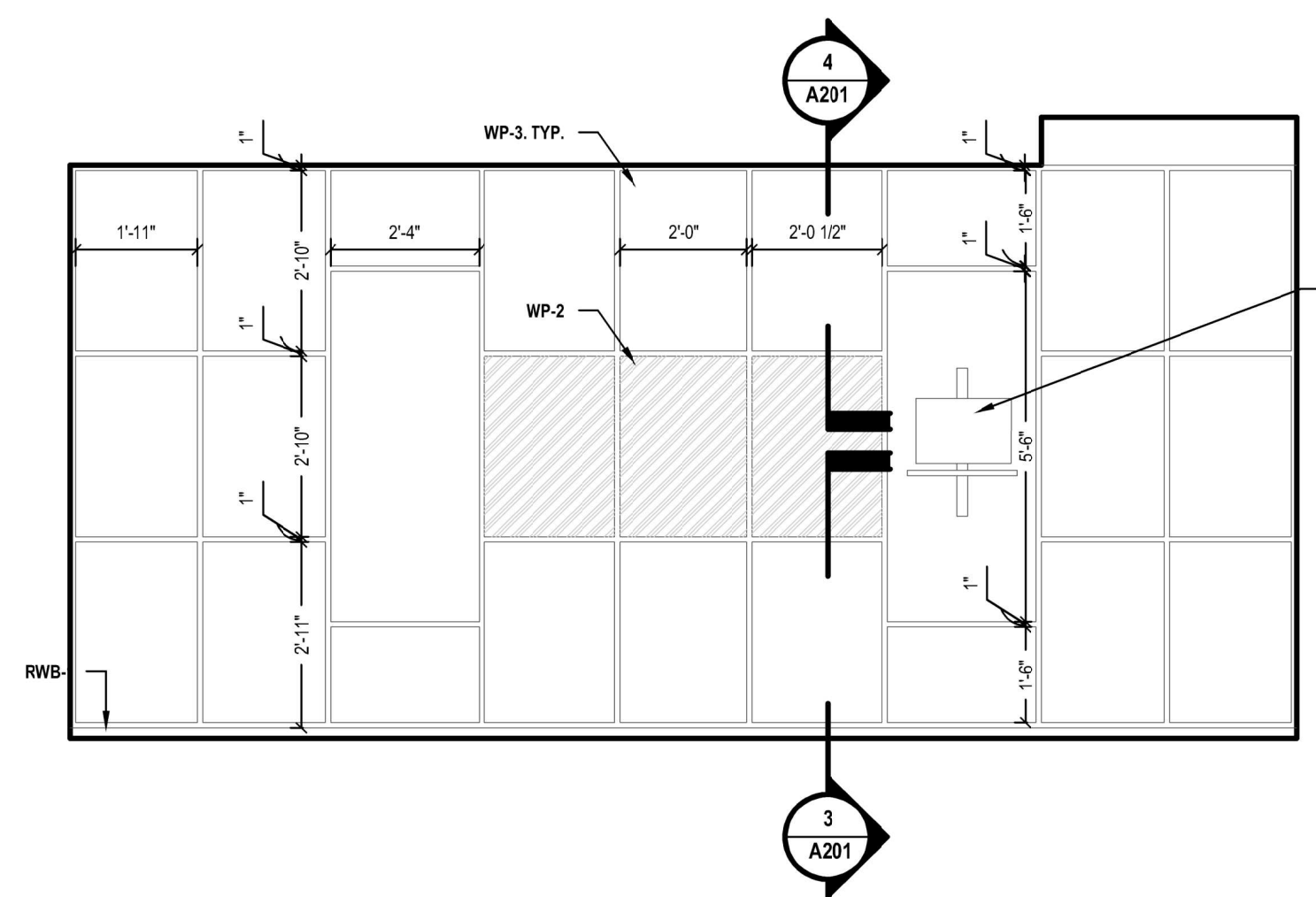
C Typical Elevation
SCALE: 3/8"=1'-0"
TYPICAL FOR 8 PATIENT ROOMS
NOTE:
CONTRACTOR TO FIELD VERIFY LOCATIONS IN EACH ROOM TO ACCOMMODATE MINOR DIMENSIONAL VARIATIONS.



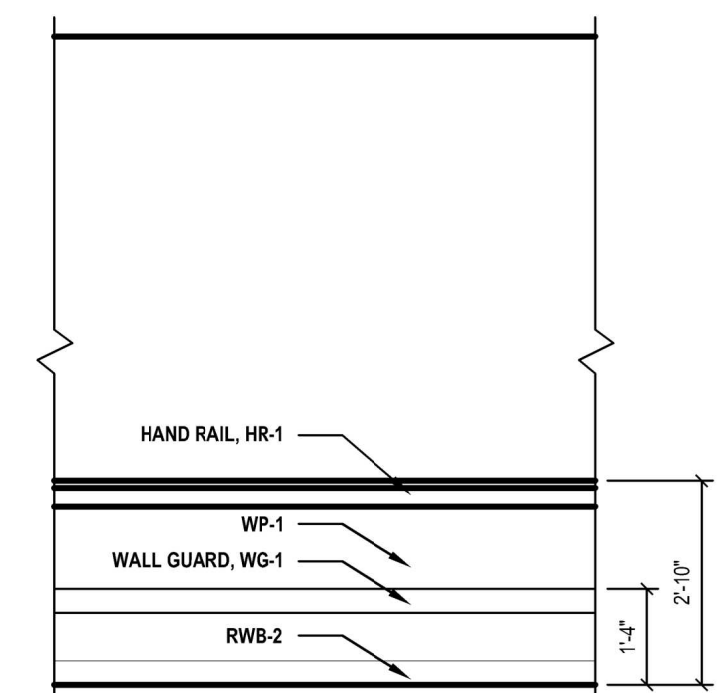
D Typical Elevation
SCALE: 3/8"=1'-0"



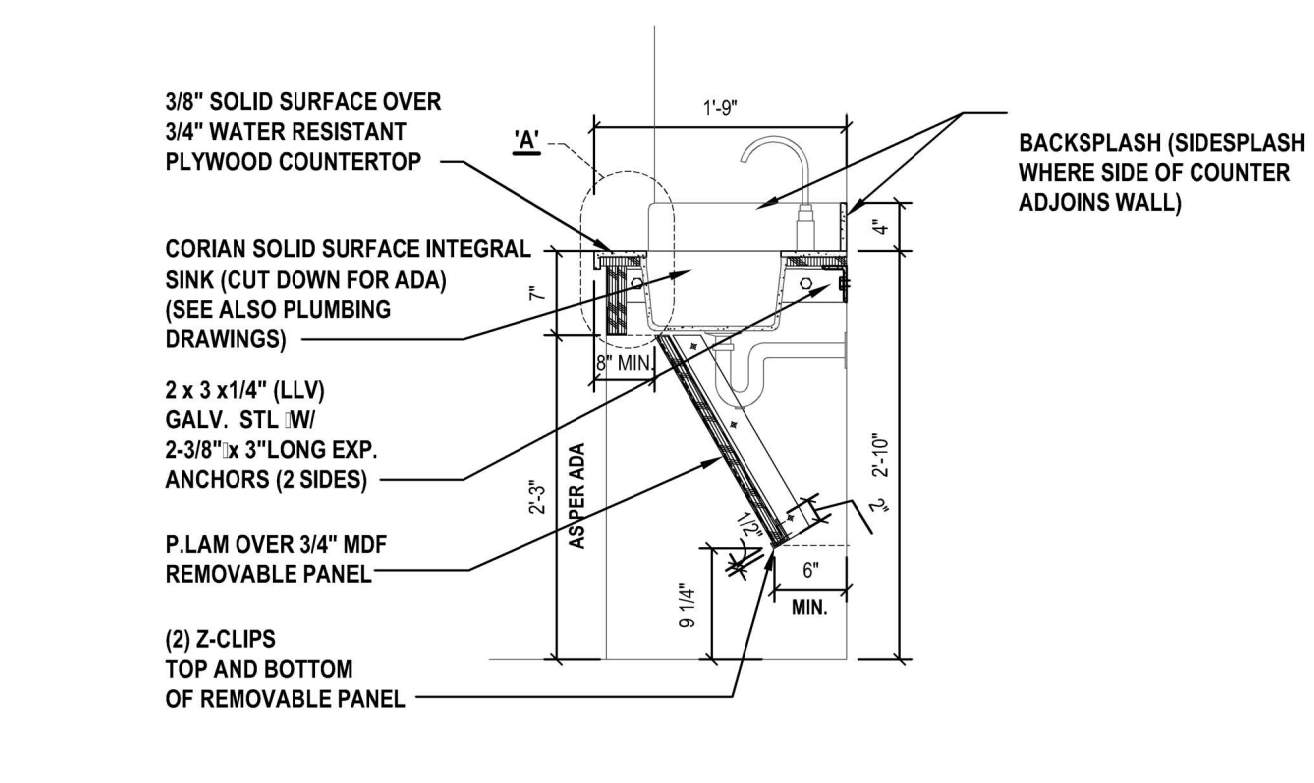
E Typical Elevation
SCALE: 3/8"=1'-0"
TYPICAL FOR 2 PATIENT ROOMS
NOTE:
CONTRACTOR TO FIELD VERIFY LOCATIONS IN EACH ROOM TO ACCOMMODATE MINOR DIMENSIONAL VARIATIONS.



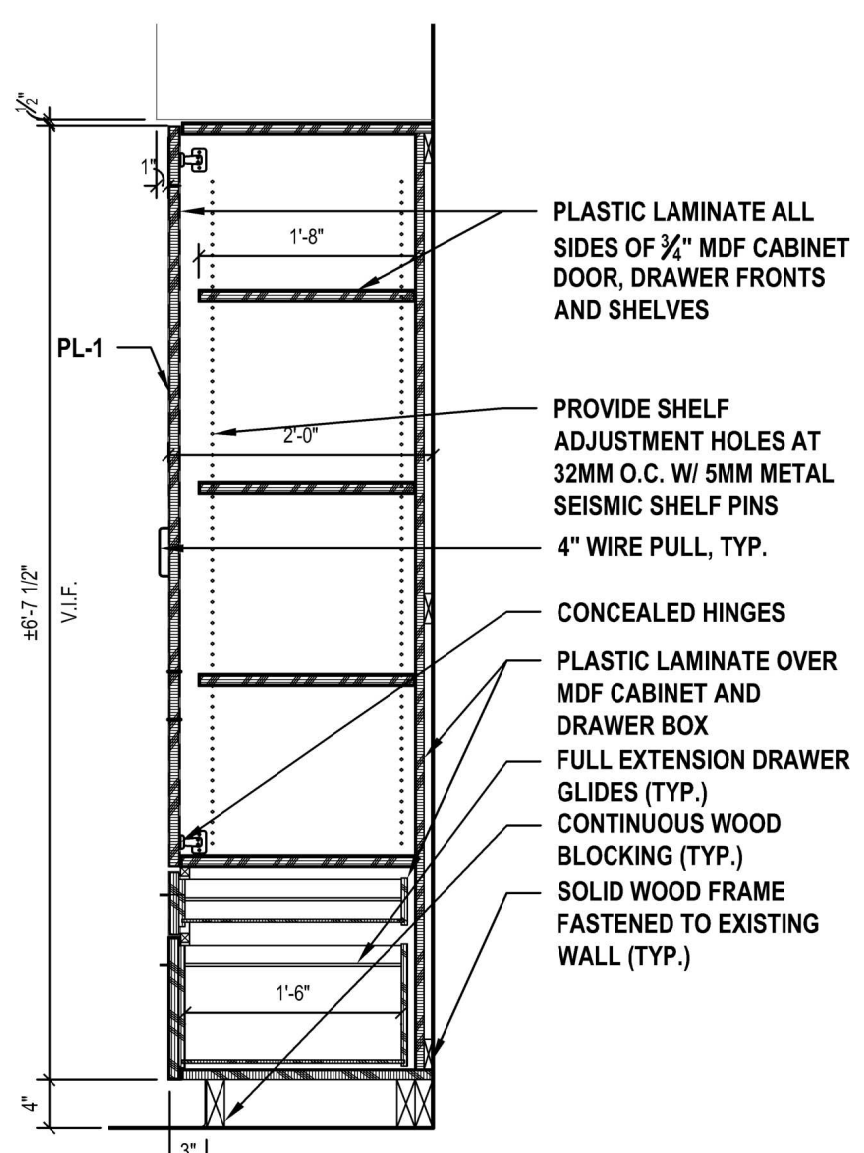
F Typical Elevation
SCALE: 3/8"=1'-0"
TYPICAL FOR 11 PATIENT ROOMS
NOTE:
CONTRACTOR TO FIELD VERIFY LOCATIONS IN EACH ROOM TO ACCOMMODATE MINOR DIMENSIONAL VARIATIONS.



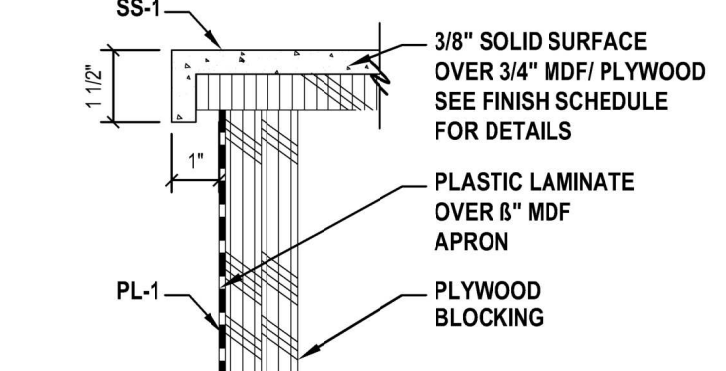
G Typical Elevation
SCALE: 3/8"=1'-0"



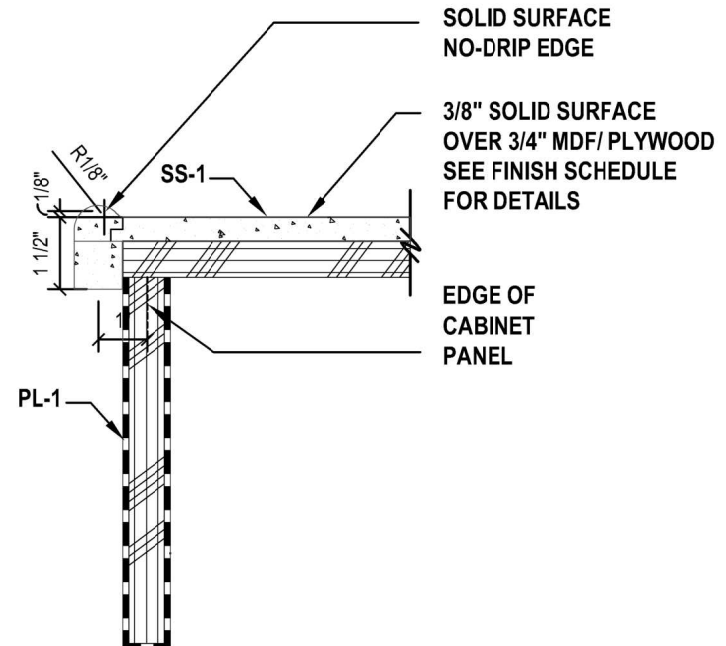
1 Section
SCALE: 3/4"=1'-0"
TYPICAL FOR 11 PATIENT ROOMS
NOTE:
CONTRACTOR TO FIELD VERIFY LOCATIONS IN EACH ROOM TO ACCOMMODATE MINOR DIMENSIONAL VARIATIONS.



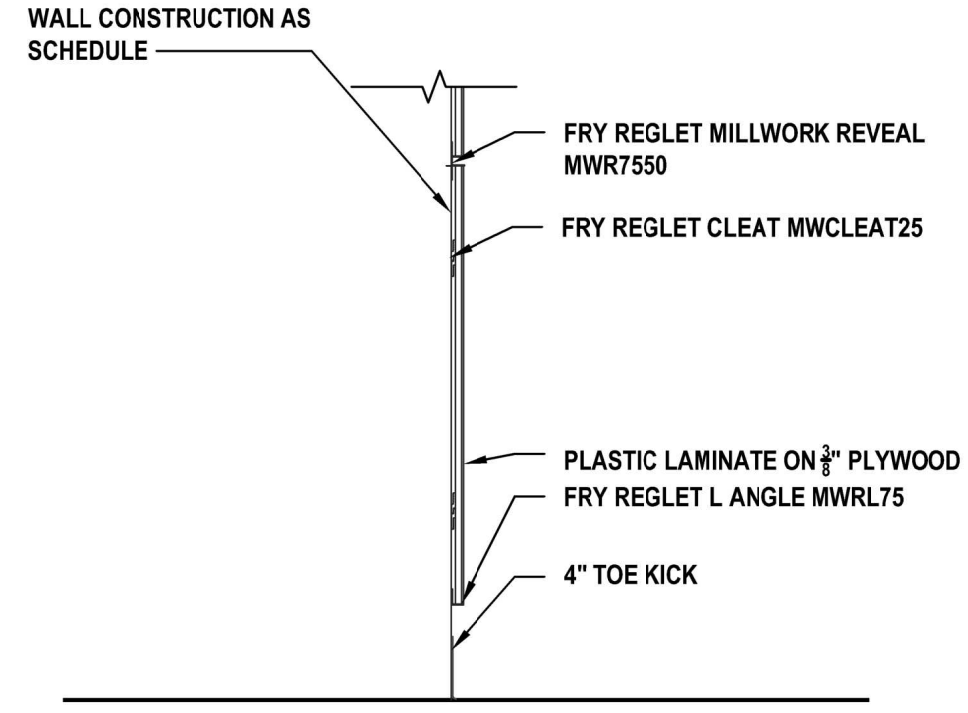
2 Section
SCALE: 3/4"=1'-0"
TYPICAL FOR 11 PATIENT ROOMS
NOTE:
CONTRACTOR TO FIELD VERIFY LOCATIONS IN EACH ROOM TO ACCOMMODATE MINOR DIMENSIONAL VARIATIONS.



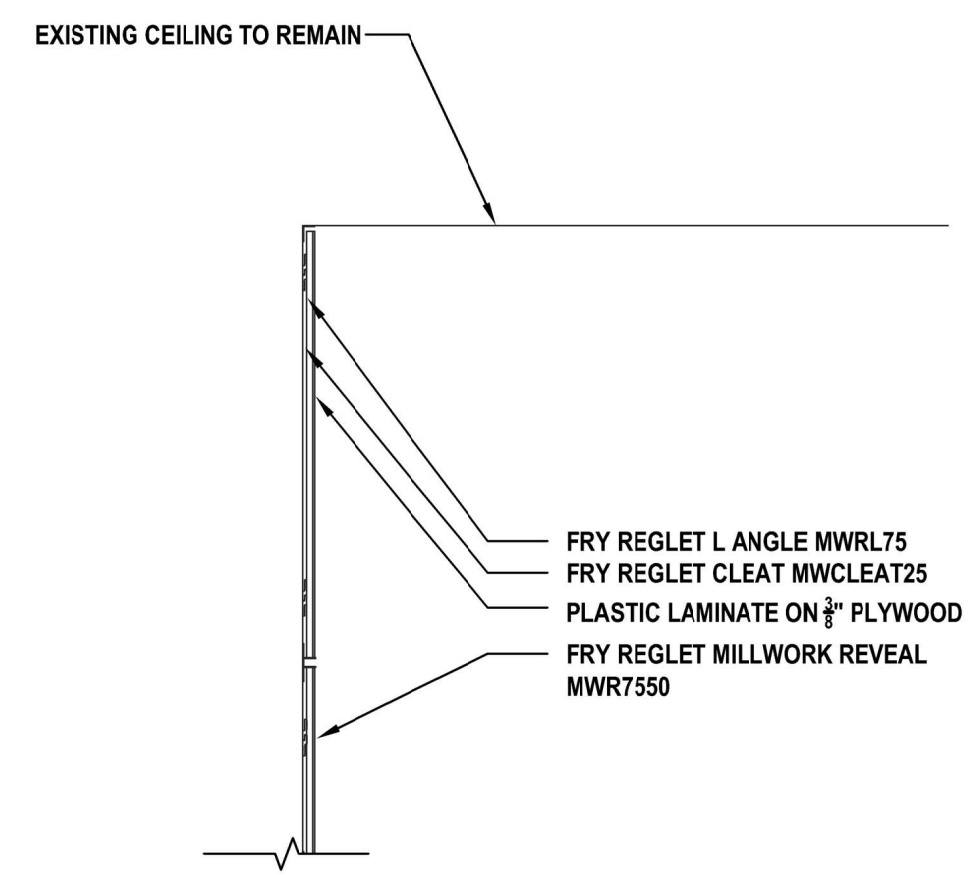
COUNTERTOP EDGE DETAIL 'A'
SCALE: N.T.S.



COUNTERTOP EDGE DETAIL 'B'
SCALE: N.T.S.



3 Custom Millwork Detail
SCALE: 1"=1'-0"



4 Custom Millwork Detail
SCALE: 1"=1'-0"

MARK	DATE	DESCRIPTION
1	06-25-21	ISSUED FOR REVIEW
2	07-29-21	ISSUED FOR BID
3	08-12-21	ADDENDA 1

DESIGNED BY:	DRAWN BY:	CHECKED BY:	REVIEWED BY:
MEF	MEF		
PROJECT No.:	DATE:	SCALE:	
NUMC2102	SEPT. 2021	AS SHOWN	

CLIENT:
NASSAU UNIVERSITY MEDICAL CENTER

2201 HEMPSTEAD TURNPIKE
EAST MEADOW NY 11554
3RD FLOOR MATERNITY MODERNIZATION

CONTRACT
**CONTRACT G
GENERAL CONSTRUCTION**

STATUS
BID SET

SHEET TITLE
TYPICAL PATIENT ROOM ELEVATIONS / MILLWORK

DRAWING No.
A 201.00

N:\MJC (N\Health) - C:\E2021\NUMC2102_Materni... \MJC\Drawings\2102_Materni... \2102_Patient Room Elevations.dwg, Last Modified: Sep 03, 2021 - 11:24am, Based on: Sep 03, 2021 - 11:33am by mjc